

20
20

LAY-Z-SPA



LAY-Z-SPA

SHANGHAI

Bestway Inflatables & Material Corp.
No.3065 Cao An Road,
Shanghai, 201812, China
Tel: 86 21 6913 5588
E-mail: info@bestwaycorp.com

HONG KONG

Bestway (Hong Kong) International Ltd.
Suite 713, 7/Floor, East Wing, Tsim Sha Tsui Centre,
66 Mody Road, Kowloon, Hong Kong
Tel: 852 2997 7169
E-mail: info@bestwaycorp.hk

U.S.A.

Bestway (USA) Inc.
3411 E. Harbour Drive, Phoenix, Arizona
85034, United States of America
Tel: 1 480 838 3888
E-mail: info@bestwaycorp.us

EUROPE

Bestway (Europe) S.r.l.
Via Resistenza, 5
20098 San Giuliano M.se (MI), Italy
Tel: 39 02 9884 881
E-mail: info@bestwaycorp.eu

EASTERN EUROPE

Bestway Eastern Europe Sp. z o.o.
Ulica Stanisława Moniuszki n 1A,
00-014 Warszawa Poland
Tel: 48 22 60 22 508
E-mail: info@bestwaycorp.pl

LATIN AMERICA

Bestway Central & South America Ltda
Salar Ascotan 1282, Parque Enea,
Pudahuel, Santiago, Chile
Tel: 562 3203 6438
E-mail: info@bestwaycorp.lat

BRAZIL

Bestway Brazil
Rua São João, 1648 Maringá - PR - Brazil
Zip Code: 87030-201
Tel: 55 44 3046 2950 / 0800 001 8400
E-mail: info@bestwaycorp.com.br

AUSTRALIA

Bestway Australia Pty Limited
Unit 2/98-104 Carnarvon St
Silverwater, NSW 2128, Australia
Tel: 61 2 9037 1388
E-mail: info@bestwaycorp.com.au

FRANCE

Bestway France Sarl
1681, Route des DolinesLes Taissounières - HB1
06560 VALBONNE
Tel: 33 4 97 04 92 99
E-mail: info@bestwaycorp.fr

GERMANY

Bestway Deutschland GmbH
Parkstraße 11
24534 Neumünster, Germany
Tel: 49 4321 555 05 - 0
E-mail: info@bestwaycorp.de

Bestway



www.bestwaycorp.com

© 2019 Bestway Inflatables & Material Corp. All rights reserved.
™ Trademarks owned and managed by Bestway Inflatables & Material Corp.

20
20

LAY-Z-SPA



Bestway

Bestway

Bestway

20 | CATALOG
20 | COLLECTION



OUR VISION MISSION

We create fun, lasting experiences to everyone in the world through the products and service we provide.

Happiness —
Happy Consumers,
Happy Employees,
Happy World



Vertically integrated



Customer focused



Innovative



Sustainable



Consumer driven



Fully owned production facilities

HKEX
香港交易所

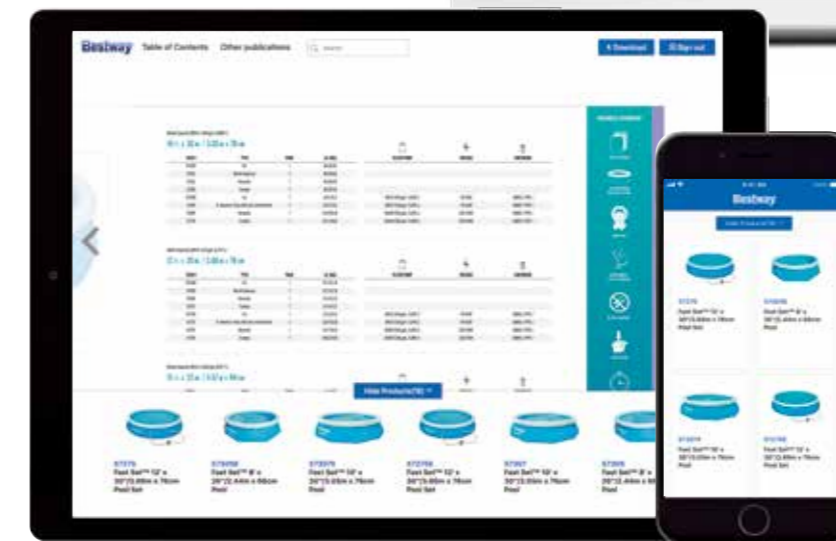
Public stock exchange

BESTWAY WORLD



THE NEW WEBSITE

Bestwaycorp.com is debuting a new and improved look. Keeping it fresh and modern, our new website uses large visuals and graphics to help tell the story of each brand. Now it's easier than ever to learn about our different products and technologies!



THE NEW CATALOG APP

Easily access all of our Bestway® catalogs while on the go with our brand new app. Download to see the conveniently portable, digital versions of our catalogs!



Welcome
Bestway's Lay-Z-Spa
is the world's first
premium inflatable spa.

Almost a decade of advanced engineering innovations have built a name that people all around the world have grown to trust. The Lay-Z-Spa™ offers an affordable spa experience that's convenient to use, easy to set up and offers total relaxation.

Backed by the Bestway® customer service team, consumers can enjoy peace of mind while relaxing in their brand new spa. With different massage technologies, a Lay-Z-Spa offers the ultimate way to rest and recharge.



CONTENTS

AirJet™

MIAMI 54123 • 54124 pg 20-23	CANCUN 54286 • 54297 pg 24-27	TAHITI 54186 • 54187 pg 28-31	PARIS 54148 • 54149 pg 32-35	PALM SPRINGS 54129 • 54130 pg 36-39
HONOLULU 54174 • 54295 pg 40-43	HAWAII 54154 • 54155 pg 44-47	ST. MORITZ 54175 • 54176 pg 48-51	HELSINKI 54189 • 54190 pg 52-57	

AirJet Plus™

MILAN 54184 • 54185 pg 62-65

HydroJet Pro™

HAWAII 54138 • 54139 pg 68-71	MALDIVES 54173 • 54296 pg 72-75
-------------------------------------	---------------------------------------

Xtras

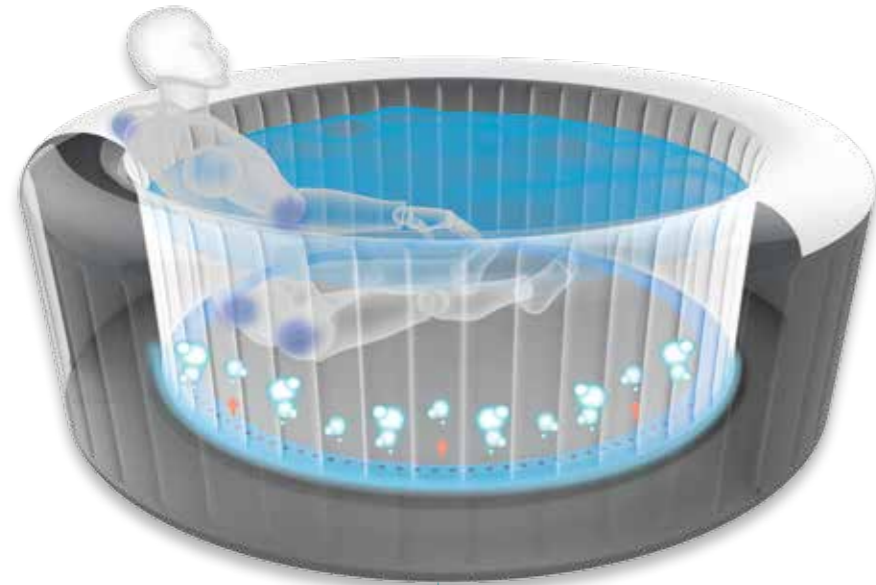
RECHARGEABLE UNDERWATER VACUUM 58487 — pg 78	COLORJET LED LIGHT 58471 — pg 79	7-COLOR LED LIGHT 58492 — pg 79	CANOPY 58464 — pg 80	DOME 58460 — pg 81	
DRINK HOLDER 58416 — pg 82	PILLOW 58580 — pg 82	SURROUND 58432 — pg 83	FLOOR PROTECTOR 58461 — pg 83	ALL IN ONE TOOL SET 58421 — pg 84	TEST STRIPS 58142 — pg 84
FILTER CARTRIDGE (VI) 58323 — pg 85	ANTIMICROBIAL FILTER CARTRIDGE (VI) 58477 — pg 85				

SERVICE

Provide your customers with quality products and the advanced customer service support they deserve. Bestway's online services and regional call centers allow customers to easily resolve issues that arise with their Bestway products. Our multilingual website is a knowledge base offering downloadable manuals, instructional videos along with FAQs and the ability for customers to order spare parts. Regional Call Centers provide the added dimension of support for those unfamiliar with computers or unable to find specific answers to their questions online.

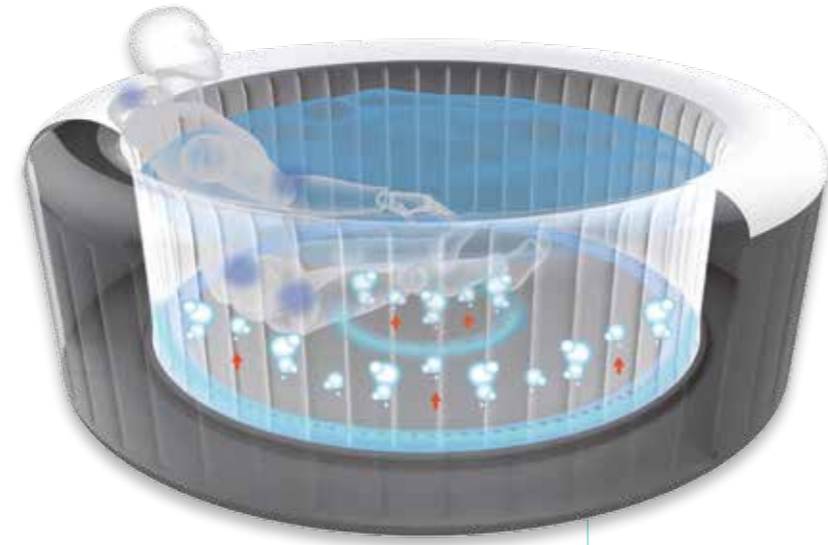
www.bestwaycorp.com

Massage Technologies



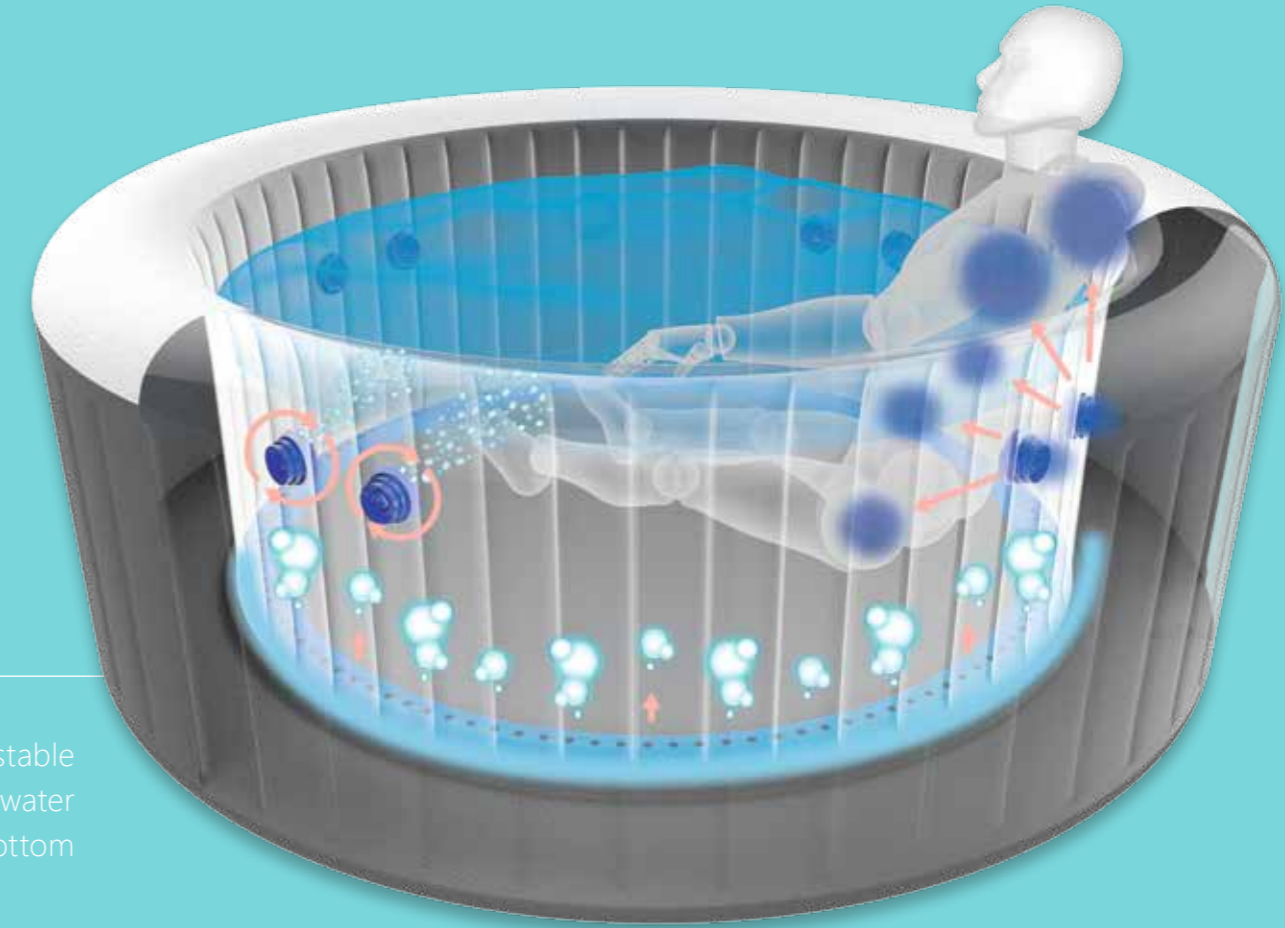
AirJet™

Sooth your body and relax your mind with the touch of a button! The AirJets work by releasing warm air into the water, surrounding you with a calming bubble massage.



AirJet Plus™

Enjoy a deeper massage with AirJet Plus! Air bubbles are released from both the bottom and the sidewalls of the spa to target both the legs and back.



HydroJet Pro™

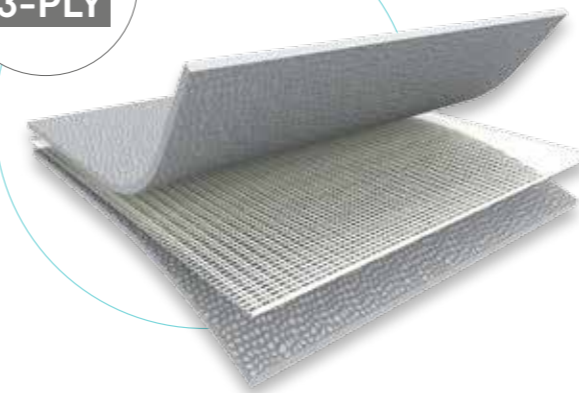
HydroJet Pro is the best of both worlds! Adjustable HydroJet nozzles that release high-pressure water bubbles combined with AirJets along the bottom provide the ultimate spa massage.



B E A M C O N S T R U C T I O N

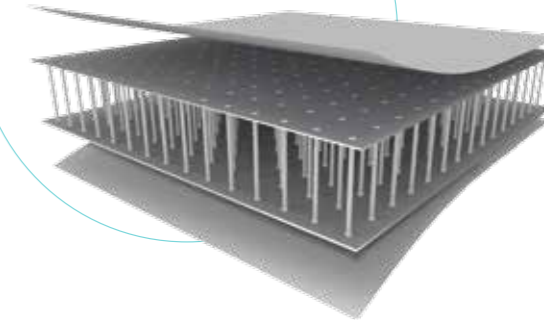
The internal construction of each Lay-Z-Spa is designed to offer superior structural stability while still maintaining a comfortable surface. It always provides a luxurious spa experience, no matter how many times it's inflated or deflated.

TRITECH™ 3-PLY



Durable, yet comfortable, Tritech™ is ultra sturdy - 3 layers of polyester mesh and PVC. By constructing the internal structure with Tritech, it ensures that the spas will keep their shape no matter how many times they have been inflated or deflated.

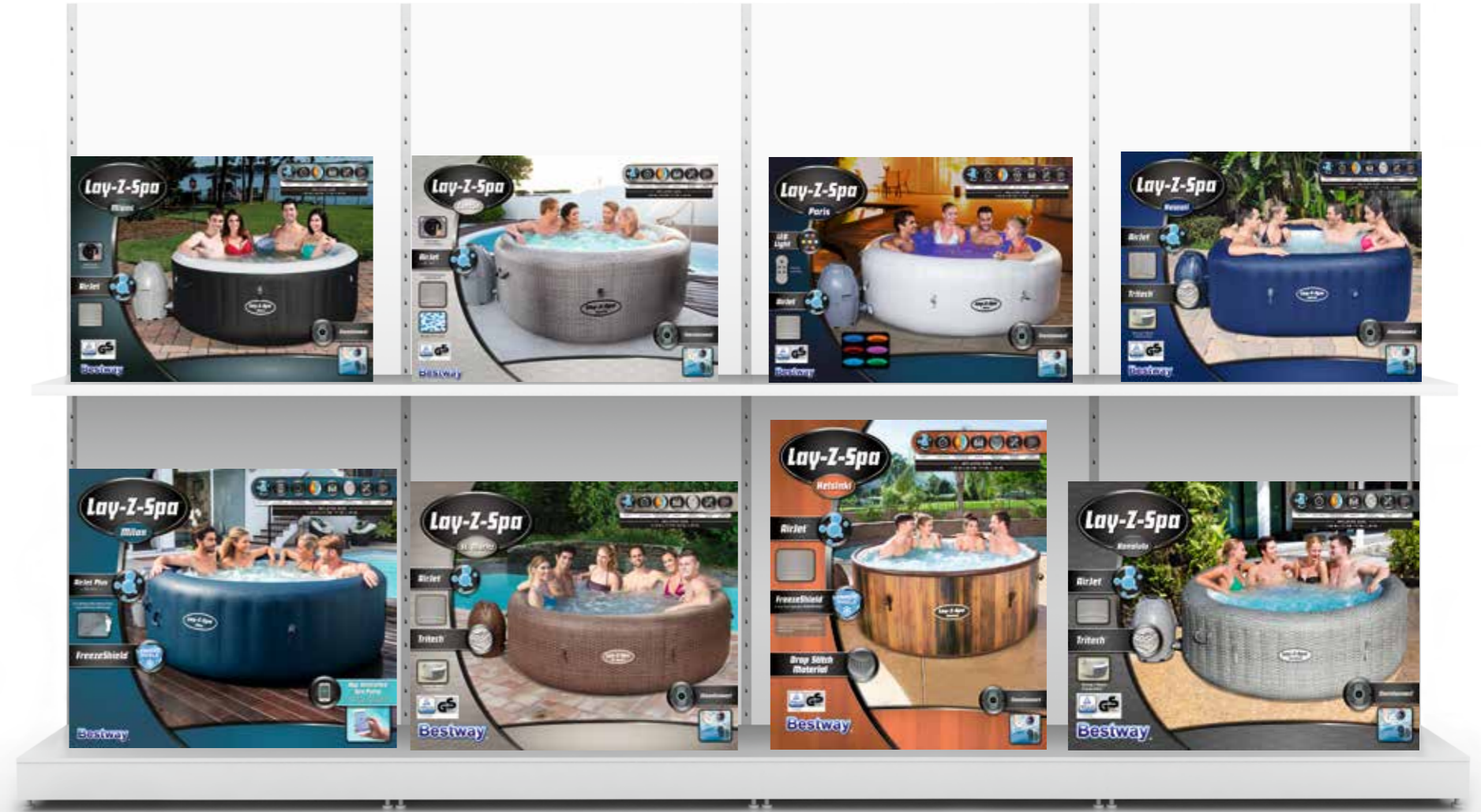
DROP STITCH MATERIAL



The inflated walls are made from drop stitch material, providing unparalleled strength and durability. Thousands of fine threads securely connect the sidewalls, which seal in air to keep the spa inflated. This material can support considerable weight while still being light and portable when deflated.



Packaging



Introducing 2020 LAY-Z-SPA™ COLLECTION

AirJet™

MIAMI • 54123-54124

CANCUN • 54286-54297

TAHITI • 54186-54187



PARIS • 54148-54149

PALM SPRINGS • 54129-54130

HONOLULU • 54174-54295



HAWAII • 54154-54155

ST. MORITZ • 54175-54176

HELSINKI • 54189-54190



AirJet Plus™

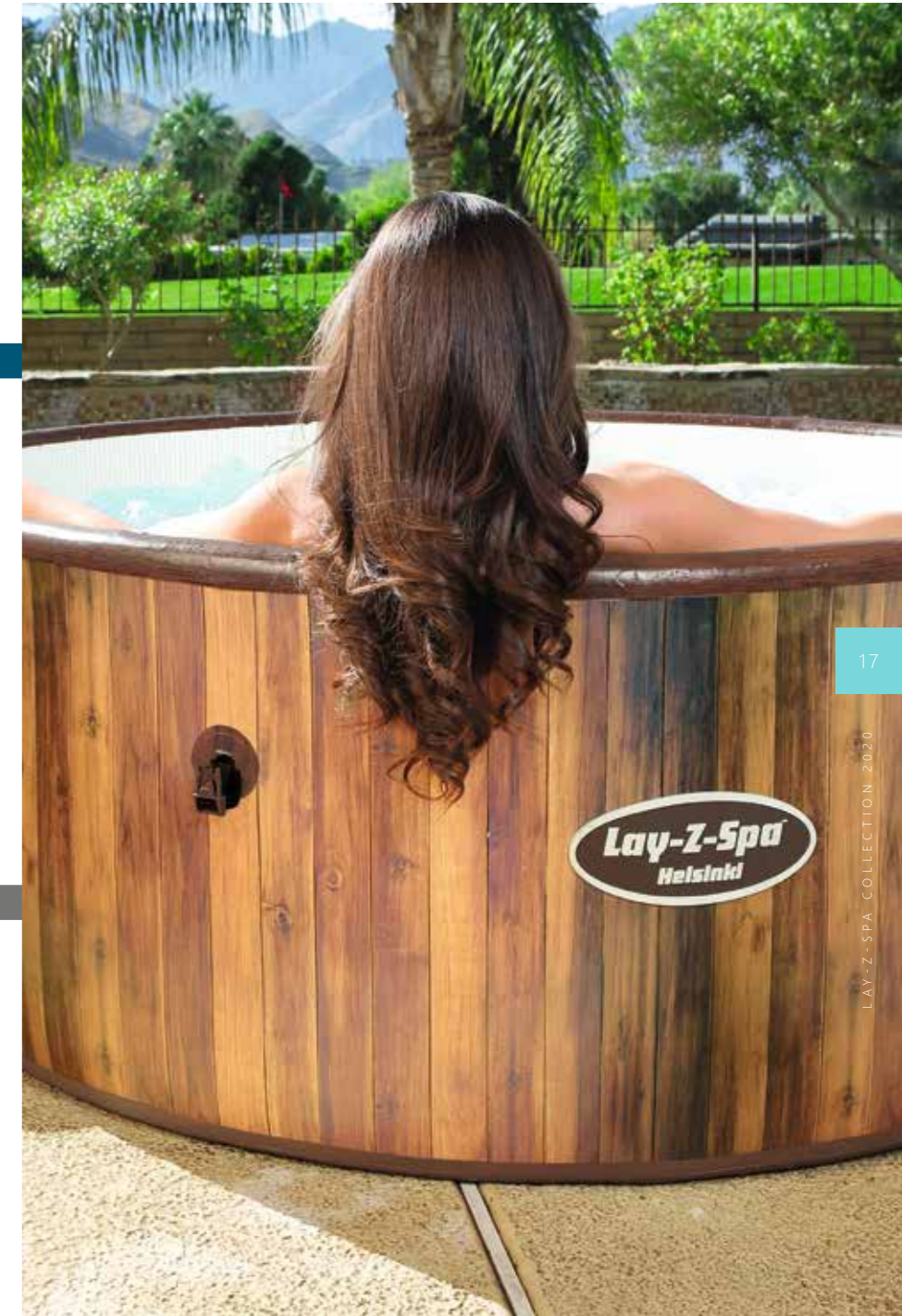
MILAN • 54184-54185



HydroJet Pro™

HAWAII • 54138-54139

MALDIVES • 54173-54296

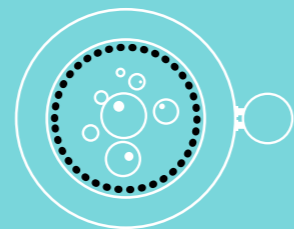


AirJet™

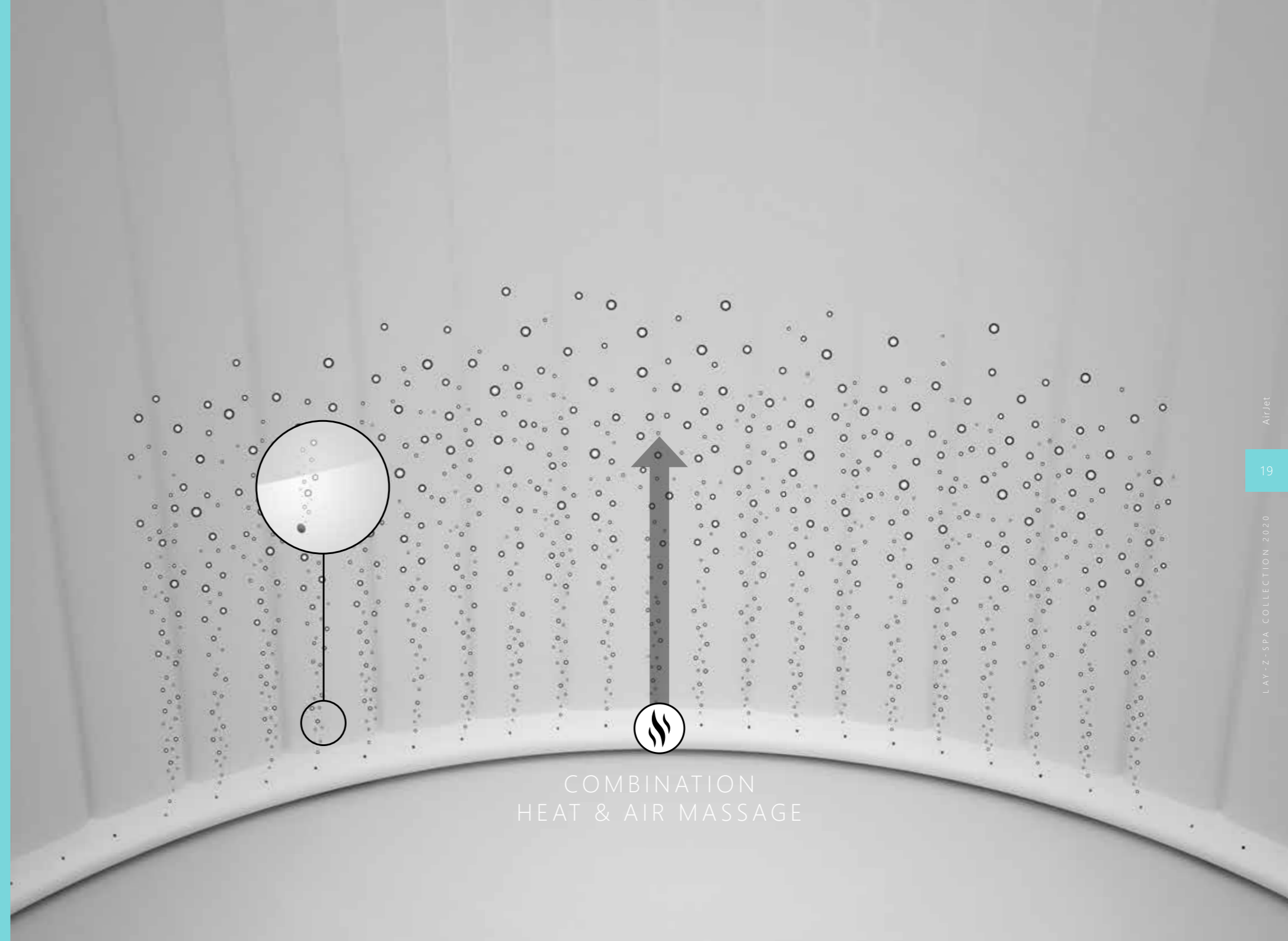
FLOAT AWAY ON A CLOUD OF BUBBLES WITH AN AIRJET MASSAGE.

Sooth your body and relax your mind with the touch of a button.

Simply press the massage button on the control panel, and the AirJet system will surround you with calming bubbles.



AIRJET
POSITIONING



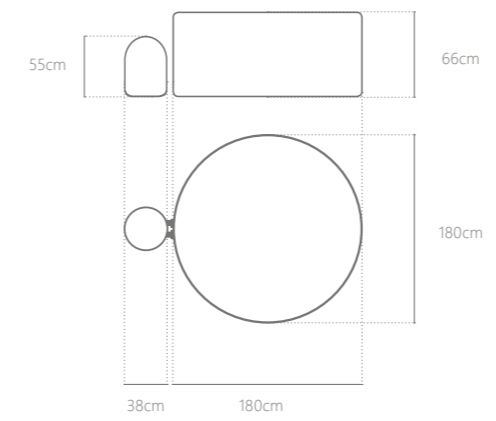
COMBINATION
HEAT & AIR MASSAGE



Miami

54123 • 54124

AirJet™



- Outer walls are made of Tritech™ material, providing premium durability and comfort
- Soothing AirJet™ system (#54123: 81 AirJets / #54124: 60 AirJets)
- Power-saving, automatic timer-controlled heating system
- Integrated water filtration system
- Reinforced cover with safety lock clips and built-in air chamber for insulation
- Full color box

Contents: 1 pool liner, 1 pool cover, 1 spa pump, filter cartridge (VI), 1 ChemConnect™ dispenser, repair patch, AirJet™ system

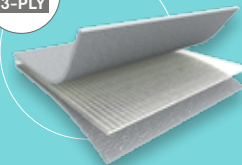
BEAM CONSTRUCTION

Delivering strength and comfort

Lay-Z-Spa's Beam construction is designed to offer superior structural stability while maintaining a comfortable surface for a luxurious, refreshing spa experience.



TRITECH™
3-PLY



The spa retains its shape no matter how many times it's inflated and deflated, always providing a comfortable, cushioned spa environment.

Only outer wall and bottom is tritech.

ITEM NO	54123	54124
CAPACITY	2-4 ADULTS	2-4 ADULTS
WATER CAPACITY (80%)	669 L (177 GAL.)	177 GAL. (669 L)
INFLATED SIZE	1.80 M X 66 CM (71" X 26")	71 IN. X 26 IN. (1.80 M X 66 CM)
INNER SIZE	1.32 M (52")	52 IN. (1.32 M)
FILLED WEIGHT	696 KG (1,534 LBS)	1,534 LBS (696 KG)
RATING	220-240V~ 50HZ, 2050W AT 20°C	110-120V~ 60HZ, 12A AT 20°C
ACTUAL WATER FLOW	1,325 L/H (350 GAL./H)	350 GAL./H (1,325 L/H)
HEATING SYSTEM	APPROX. 1.5-2.0°C/H (3-4°F/H)	APPROX. 2-3°F/H (1.0-1.5°C/H)
MAX HEAT CAPABILITY	40°C (104°F)	104°F (40°C)
CERTIFICATION	CE, GS	C-ETL
PACK/ GROSS WEIGHT	1 EA., 32.82 KG (72.36 LBS)	1 EA., 72.66 LBS (32.96 KG)

Lock/Unlock Button

Power Saving Timer

AirJet System

Celsius/Fahrenheit Mode Toggle



LED Display

Temperature/ Hour Adjustment

Power On/Off

Water Filter Activation

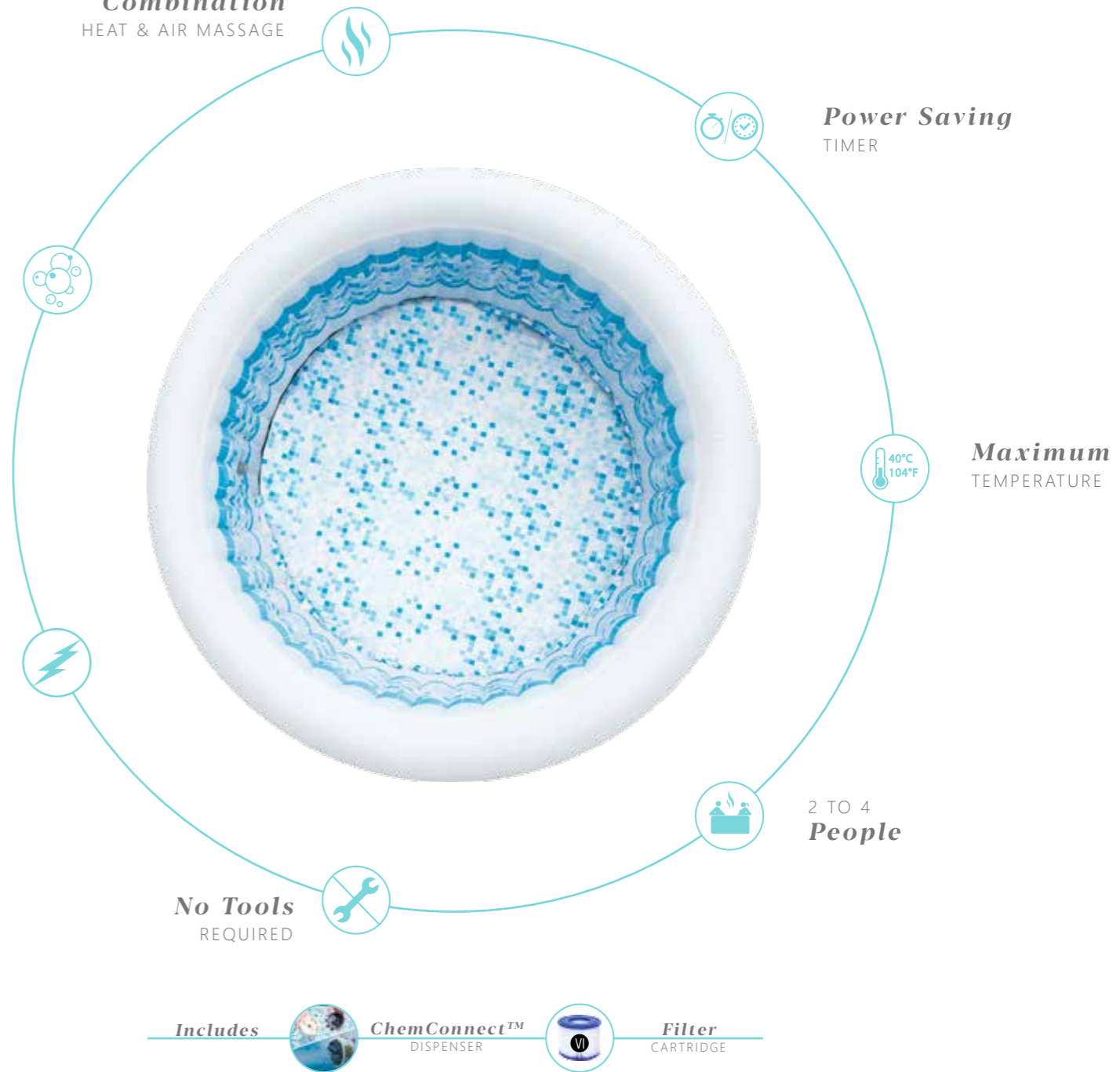
Heat Activation

AirJet™
MESSAGE ACTION

Ground Fault
DETECTION SYSTEM

*Most spas have ground fault detection system (GDS).

Combination
HEAT & AIR MASSAGE



Includes



ChemConnect™
DISPENSER

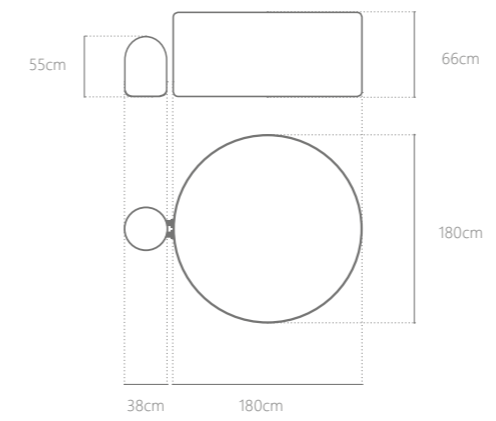


Filter
CARTRIDGE

Cancun

54286 • 54297

AirJet™



- Outer walls are made of Tritech™ material, providing premium durability and comfort
- Soothing AirJet™ system (#54286: 81 AirJets / #54297: 60 AirJets)
- Power-saving, automatic timer-controlled heating system
- Integrated water filtration system
- Reinforced cover with safety lock clips and built-in air chamber for insulation
- Full color box

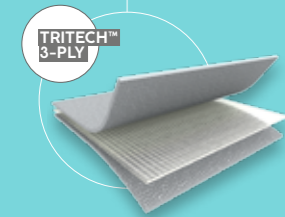
Contents: 1 pool liner, 1 pool cover, 1 spa pump, filter cartridge (VI), 1 ChemConnect™ dispenser, repair patch, AirJet™ system



BEAM CONSTRUCTION

Delivering strength and comfort

Lay-Z-Spa's Beam construction is designed to offer superior structural stability while maintaining a comfortable surface for a luxurious, refreshing spa experience.



The spa retains its shape no matter how many times it's inflated and deflated, always providing a comfortable, cushioned spa environment.

Only outer wall and bottom is tritech.

ITEM NO	54286	54297
CAPACITY	2-4 ADULTS	2-4 ADULTS
WATER CAPACITY (80%)	669 L (177 GAL.)	177 GAL. (669 L)
INFLATED SIZE	1.80 M X 66 CM (71" X 26")	71 IN. X 26 IN. (1.80 M X 66 CM)
INNER SIZE	1.32 M (52")	52 IN. (1.32 M)
FILLED WEIGHT	696 KG (1,534 LBS)	1,534 LBS (696 KG)
RATING	220-240V~50HZ, 2050W AT 20°C	110-120V~ 60HZ, 12A AT 20°C
ACTUAL WATER FLOW	1,325 L/H (350 GAL./H)	350 GAL./H (1,325 L/H)
HEATING SYSTEM	APPROX. 1.5-2.0°C/H (3-4°F/H)	APPROX. 2-3°F/H (1.0-1.5°C/H)
MAX HEAT CAPABILITY	40°C (104°F)	104°F (40°C)
CERTIFICATION	CE, GS	C-ETL
PACK/ GROSS WEIGHT	1 EA., 32.77 KG (72.25 LBS)	1 EA., 72.58 LBS (32.92 KG)



AirJet™
MESSAGE ACTION

Combination
HEAT & AIR MASSAGE

Power Saving
TIMER

Maximum
TEMPERATURE

2 TO 4
People

No Tools
REQUIRED

Ground Fault
DETECTION SYSTEM

*Most spas have ground fault detection system (GDS).

Includes



ChemConnect™
DISPENSER

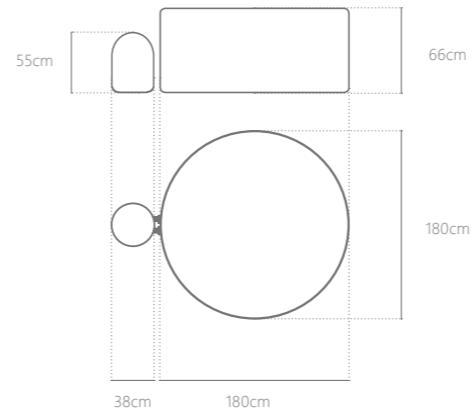


Filter
CARTRIDGE

Tahiti

54186 • 54187

AirJet™



- Outer walls are made of Tritech™ material, providing premium durability and comfort
- Soothing AirJet™ system (#54186: 81 AirJets / #54187: 60 AirJets)
- LED light alternates between 7 colors using 3 AAA batteries (not included)
- Power-saving, automatic timer-controlled heating system
- Integrated water filtration system
- Reinforced cover with safety lock clips and built-in air chamber for insulation
- Full color box

Contents: 1 pool liner, 1 pool cover, 1 spa pump, filter cartridge (VI), 1 ChemConnect™ dispenser, 1 LED light, repair patch, AirJet™ system

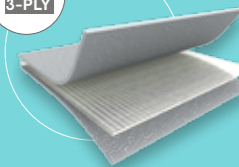
BEAM CONSTRUCTION

Delivering strength and comfort

Lay-Z-Spa's Beam construction is designed to offer superior structural stability while maintaining a comfortable surface for a luxurious, refreshing spa experience.



TRITECH™
3-PLY



The spa retains its shape no matter how many times it's inflated and deflated, always providing a comfortable, cushioned spa environment.

Only outer wall and bottom is tritech.

ITEM NO	54186	54187
CAPACITY	2-4 ADULTS	2-4 ADULTS
WATER CAPACITY (80%)	669 L (177 GAL.)	177 GAL. (669 L)
INFLATED SIZE	1.80 M X 66 CM (71" X 26")	71 IN. X 26 IN. (1.80 M X 66 CM)
INNER SIZE	1.32 M (52")	52 IN. (1.32 M)
FILLED WEIGHT	696 KG (1,534 LBS)	1,534 LBS (696 KG)
RATING	220-240V~50HZ, 2050W AT 20°C	110-120V~60HZ, 12A AT 20°C
ACTUAL WATER FLOW	1,325 L/H (350 GAL./H)	350 GAL./H (1,325 L/H)
HEATING SYSTEM	APPROX. 1.5-2.0°C/H (3-4°F/H)	APPROX. 2-3°F/H (1.0-1.5°C/H)
MAX HEAT CAPABILITY	40°C (104°F)	104°F (40°C)
CERTIFICATION	CE, GS	C-ETL
PACK/ GROSS WEIGHT	1 EA., 32.75 KG (72.20 LBS)	1 EA., 72.53 LBS (32.90 KG)

Lock/Unlock Button

Power Saving Timer

AirJet System

Celsius/Fahrenheit Mode Toggle



LED Display

Temperature/ Hour Adjustment

Power On/Off

Water Filter Activation

Heat Activation

Combination
HEAT & AIR MASSAGE

AirJet™
MASSAGE ACTION

Power Saving
TIMER

7-Color
LED LIGHT

Maximum
TEMPERATURE

Ground Fault
DETECTION SYSTEM

*Most spas have ground fault detection system (GDS).

2 TO 4
People

No Tools
REQUIRED

Includes



ChemConnect™
DISPENSER



Filter
CARTRIDGE



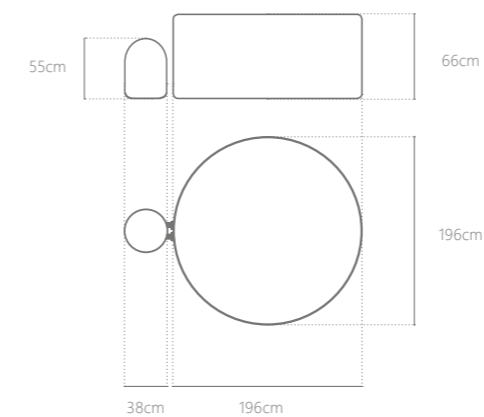
7-Color
LED LIGHT



Paris

54148 • 54149

AirJet™



- Soothing AirJet™ system (#54148: 87 AirJets / #54149: 76 AirJets)
- Remote-controlled multicolored LED light strip system
- Power-saving, automatic timer-controlled heating system
- Integrated water filtration system
- Reinforced cover with safety lock clips and built-in air chamber for insulation
- Full color box

Contents: 1 pool liner, 1 pool cover, 1 spa pump, 1 ChemConnect™ dispenser, filter cartridge (VI), 1 LED light strip, repair patch, AirJet™ system

BEAM CONSTRUCTION

Delivering strength and comfort

Lay-Z-Spa's Beam construction is designed to offer superior structural stability while maintaining a comfortable surface for a luxurious, refreshing spa experience.



LEATHEROID
EXTERIOR
COVER

The spa retains its shape no matter how many times it's inflated and deflated, always providing a comfortable, cushioned spa environment.

ITEM NO	54148	54149
CAPACITY	4-6 ADULTS	4-6 ADULTS
WATER CAPACITY (80%)	806 L (213 GAL.)	213 GAL. (806 L)
INFLATED SIZE	1.96 M X 66 CM (77" X 26")	77 IN. X 26 IN. (1.96 M X 66 CM)
INNER SIZE	1.46 M (57")	57 IN. (1.46 M)
FILLED WEIGHT	840 KG (1,851 LBS)	1,851 LBS (840 KG)
RATING	220-240V~50HZ, 2050W AT 20°C	110-120V~60HZ, 12A AT 20°C
ACTUAL WATER FLOW	1,325 L/H (350 GAL./H)	350 GAL./H (1,325 L/H)
HEATING SYSTEM	APPROX. 1.5-2.0°C/H (3-4°F/H)	APPROX. 2-3°F/H (1.0-1.5°C/H)
MAX HEAT CAPABILITY	40°C (104°F)	104°F (40°C)
CERTIFICATION	CE, GS	C-ETL
PACK/ GROSS WEIGHT	1 EA., 40.78 KG (89.90 LBS)	1 EA., 90.50 LBS (41.05 KG)

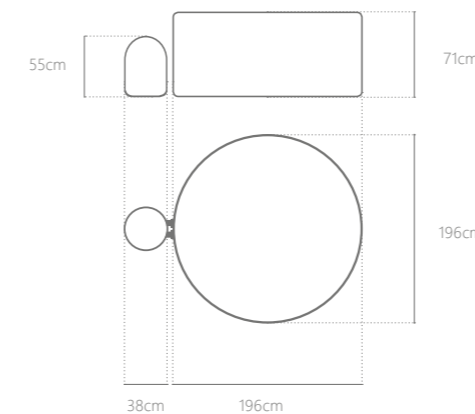




Palm Springs

54129 • 54130

AirJet™



- Inflated walls are made of Tritech™ material, providing premium durability and comfort
- Soothing AirJet™ system (#54129: 120 AirJets / #54130: 114 AirJets)
- Power-saving, automatic timer-controlled heating system
- Integrated water filtration system
- Reinforced cover with safety lock clips and built-in air chamber for insulation
- Full color box

Contents: 1 pool liner, 1 pool cover, 1 spa pump, 1 ChemConnect™ dispenser, filter cartridge (VI), repair kit, AirJet™ system

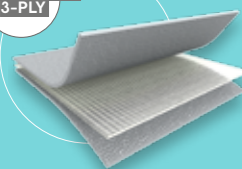
Y - B E A M CONSTRUCTION

Delivering strength and comfort

Lay-Z-Spa's Y-Beam construction is designed to offer superior structural stability while maintaining a comfortable surface for a luxurious, refreshing spa experience.



TRITECH™
3-PLY



The spa retains its shape no matter how many times it's inflated and deflated, always providing a comfortable, cushioned spa environment.

ITEM NO	54129	54130
CAPACITY	4-6 ADULTS	4-6 ADULTS
WATER CAPACITY (80%)	916 L (242 GAL.)	242 GAL. (916 L)
INFLATED SIZE	1.96 M X 71 CM (77" X 28")	77 IN. X 28 IN. (1.96 M X 71 CM)
INNER SIZE	1.46 M (57")	57 IN. (1.46 M)
FILLED WEIGHT	954 KG (2,103 LBS)	2,103 LBS (954 KG)
RATING	220-240V~50HZ, 2050W AT 20°C	110-120V~60HZ, 12A AT 20°C
ACTUAL WATER FLOW	1,325 L/H (350 GAL./H)	320 GAL./H (1,211 L/H)
HEATING SYSTEM	APPROX. 1.5-2.0°C/H (3-4°F/H)	APPROX. 2-3°F/H (1.0-1.5°C/H)
MAX HEAT CAPABILITY	40°C (104°F)	104°F (40°C)
CERTIFICATION	CE, GS	C-ETL
PACK/ GROSS WEIGHT	1 EA., 40.78 KG (89.90 LBS)	1 EA., 92.31 LBS (41.87 KG)

Lock/Unlock Button

Power Saving Timer

AirJet System

Celsius/Fahrenheit Mode Toggle



LED Display

Temperature/ Hour Adjustment

Power On/Off

Water Filter Activation

Heat Activation

AirJet™
MESSAGE ACTION

Ground Fault
DETECTION SYSTEM

*Most spas have ground fault detection system (GDS).

Combination
HEAT & AIR MASSAGE

Power Saving
TIMER

Maximum
TEMPERATURE

4 TO 6
People

No Tools
REQUIRED

Includes



ChemConnect™
DISPENSER



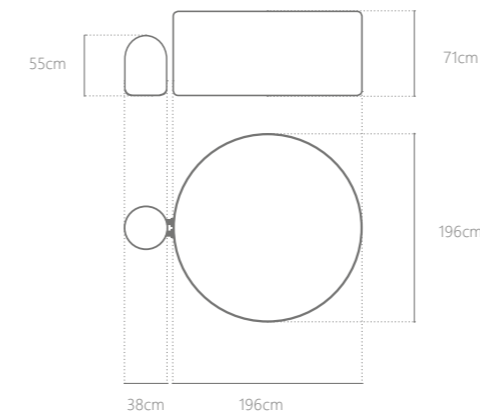
Filter
CARTRIDGE



Honolulu

54174 • 54295

AirJet™



- Inflated walls are made of Tritech™ material, providing premium durability and comfort
- Soothing AirJet™ system (#54174: 120 AirJets / #54295: 114 AirJets)
- Power-saving, automatic timer-controlled heating system
- Integrated water filtration system
- Rattan print on outside and pool cover with a mosaic print on the inside
- Reinforced cover with safety lock clips and built-in air chamber for insulation
- Full color box

Contents: 1 pool liner, 1 pool cover, 1 spa pump, 1 ChemConnect™ dispenser, filter cartridge (VI), repair kit, AirJet™ system

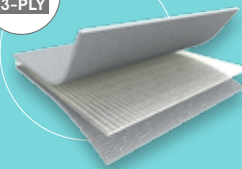
Y - B E A M C O N S T R U C T I O N

Delivering strength and comfort

Lay-Z-Spa's Y-Beam construction is designed to offer superior structural stability while maintaining a comfortable surface for a luxurious, refreshing spa experience.



TRITECH™
3-PLY



The spa retains its shape no matter how many times it's inflated and deflated, always providing a comfortable, cushioned spa environment.

ITEM NO	54174	54295
CAPACITY	4-6 ADULTS	4-6 ADULTS
WATER CAPACITY (80%)	916 L (242 GAL.)	242 GAL. (916 L)
INFLATED SIZE	1.96 M X 71 CM (77" X 28")	77 IN. X 28 IN. (1.96 M X 71 CM)
INNER SIZE	1.46 M (57")	57 IN. (1.46 M)
FILLED WEIGHT	954 KG (2,103 LBS)	2,103 LBS (954 KG)
RATING	220-240V~50HZ, 2050W AT 20°C	110-120V~60HZ, 12A AT 20°C
ACTUAL WATER FLOW	1,325 L/H (350 GAL./H)	320 GAL./H (1,211 L/H)
HEATING SYSTEM	APPROX. 1.5-2.0°C/H (3-4°F/H)	APPROX. 2-3°F/H (1.0-1.5°C/H)
MAX HEAT CAPABILITY	40°C (104°F)	104°F (40°C)
CERTIFICATION	CE, GS	C-ETL
PACK/ GROSS WEIGHT	1 EA., 40.78 KG (89.9 LBS)	1 EA., 92.31 LBS (41.87 KG)

Lock/Unlock Button

Power Saving Timer

AirJet System

Celsius/Fahrenheit Mode Toggle



LED Display

Temperature/ Hour Adjustment

Power On/Off

Water Filter Activation

Heat Activation

Combination
HEAT & AIR MASSAGE



Power Saving
TIMER



Maximum
TEMPERATURE



4 TO 6
People



No Tools
REQUIRED



Includes

ChemConnect™
DISPENSER



Filter
CARTRIDGE

AirJet™
MASSAGE ACTION

Ground Fault
DETECTION SYSTEM

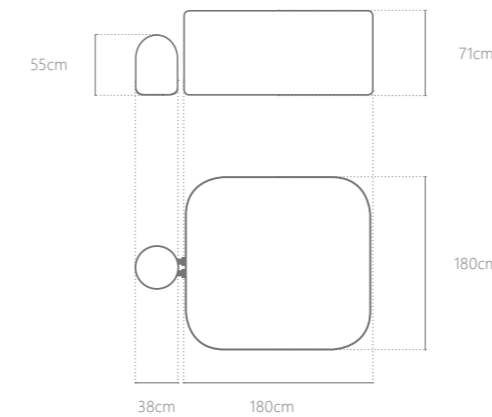
*Most spas have ground fault detection system (GDS).



Hawaii

54154 • 54155

AirJet™



- Inflated walls are made of Tritech™ material, providing premium durability and comfort
- Soothing AirJet™ system (#54154: 120 AirJets / #54155: 114 AirJets)
- Power-saving, automatic timer-controlled heating system
- Integrated water filtration system
- Reinforced cover with safety lock clips and built-in air chamber for insulation
- Full color box

Contents: 1 pool liner, 1 pool cover, 1 spa pump, 1 ChemConnect™ dispenser, filter cartridge (VI), repair kit, AirJet™ system

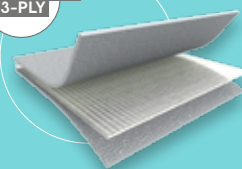
Y-BEAM CONSTRUCTION

Delivering strength and comfort

Lay-Z-Spa's Y-Beam construction is designed to offer superior structural stability while maintaining a comfortable surface for a luxurious, refreshing spa experience.



TRITECH™
3-PLY



The spa retains its shape no matter how many times it's inflated and deflated, always providing a comfortable, cushioned spa environment.

ITEM NO	54154	54155
CAPACITY	4-6 ADULTS	4-6 ADULTS
WATER CAPACITY (80%)	840 L (222 GAL.)	222 GAL. (840 L)
INFLATED SIZE	1.80 M X 1.80 M X 71 CM (71" X 71" X 28")	71 IN. X 71 IN. X 28 IN. (1.80 M X 1.80 M X 71 CM)
INNER SIZE	1.30 M X 1.30 M (51" X 51")	51 IN. X 51 IN. (1.30 M X 1.30 M)
FILLED WEIGHT	879 KG (1,938 LBS)	1,938 LBS (879 KG)
RATING	220-240V~50HZ, 2050W AT 20°C	110-120V~60HZ, 12A AT 20°C
ACTUAL WATER FLOW	1,325 L/H (350 GAL./H)	320 GAL./H (1,211 L/H)
HEATING SYSTEM	APPROX. 1.5-2.0°C/H (3-4°F/H)	APPROX. 2-3°F/H (1.0-1.5°C/H)
MAX HEAT CAPABILITY	40°C (104°F)	104°F (40°C)
CERTIFICATION	CE, GS	C-ETL
PACK/ GROSS WEIGHT	1 EA., 41.92 KG (92.42 LBS)	1 EA., 94.89 LBS (43.04 KG)

Lock/Unlock Button

Power Saving Timer

AirJet System

Celsius/Fahrenheit Mode Toggle



LED Display

Temperature/ Hour Adjustment

Power On/Off

Water Filter Activation

Heat Activation

Combination
HEAT & AIR MASSAGE

Power Saving
TIMER

AirJet™
MASSAGE ACTION



Ground Fault
DETECTION SYSTEM

*Most spas have ground fault detection system (GDS).

4 TO 6
People

No Tools
REQUIRED

Maximum
TEMPERATURE

Includes



ChemConnect™
DISPENSER



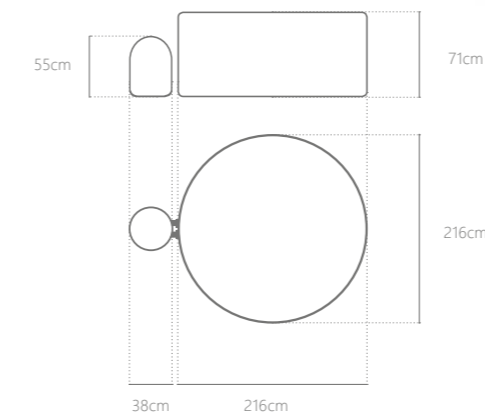
Filter
CARTRIDGE



St. Moritz

54175 • 54176

AirJet™



- Inflated walls are made of Tritech™ material, providing premium durability and comfort
- Soothing AirJet™ system (#54175: 140 AirJets / #54176: 134 AirJets)
- Power-saving, automatic timer-controlled heating system
- Integrated water filtration system
- Reinforced cover with safety lock clips and built-in air chamber for insulation
- Rattan print on outside and pool cover, mosaic print on the inside
- Full color box

Contents: 1 pool liner, 1 pool cover, 1 spa pump, 1 ChemConnect™ dispenser, filter cartridge (VI), repair kit, AirJet™ system

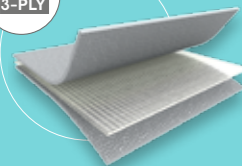
Y - B E A M C O N S T R U C T I O N

Delivering strength and comfort

Lay-Z-Spa's Y-Beam construction is designed to offer superior structural stability while maintaining a comfortable surface for a luxurious, refreshing spa experience.



TRITECH™
3-PLY



The spa retains its shape no matter how many times it's inflated and deflated, always providing a comfortable, cushioned spa environment.

ITEM NO	54175	54176
CAPACITY	5-7 ADULTS	5-7 ADULTS
WATER CAPACITY (80%)	1,190 L (314 GAL.)	314 GAL. (1,190 L)
INFLATED SIZE	2.16 M X 71 CM (85" X 28")	85 IN. X 28 IN. (2.16 M X 71 CM)
INNER SIZE	1.66 M (65")	65 IN. (1.66 M)
FILLED WEIGHT	1210 KG (2,668 LBS)	2,668 LBS (1210 KG)
RATING	220-240V~50HZ, 2050W AT 20°C	110-120V~60HZ, 12A AT 20°C
ACTUAL WATER FLOW	1,325 L/H (350 GAL./H)	320 GAL./H (1,211 L/H)
HEATING SYSTEM	APPROX. 1.2-1.8°C/H (2-3°F/H)	APPROX. 1-2°F/H (0.6-1.2°C/H)
MAX HEAT CAPABILITY	40°C (104°F)	104°F (40°C)
CERTIFICATION	CE, GS	C-ETL
PACK/ GROSS WEIGHT	1 EA., 45.48 KG (100.27 LBS)	1 EA., 101.24 LBS (45.92 KG)

Lock/Unlock Button

Power Saving Timer

AirJet System

Celsius/Fahrenheit Mode Toggle



LED Display

Temperature/ Hour Adjustment

Power On/Off

Water Filter Activation

Heat Activation

Combination
HEAT & AIR MASSAGE

AirJet™
MASSAGE ACTION

Ground Fault
DETECTION SYSTEM

*Most spas have ground fault detection system (GDS).

No Tools
REQUIRED

Includes



ChemConnect™
DISPENSER



Filter
CARTRIDGE

Power Saving
TIMER

Maximum
TEMPERATURE

5 TO 7
People

Freeze Shield™

TECHNOLOGY

Lay-Z-Spas with Freeze Shield™ are equipped for year-round, all-weather use. Designed with innovative winterizing technology, these spas have built-in sensors so water temperature never falls below your comfort level. Freeze Shield automatically increases water circulation when temperatures are low to prevent inner parts from becoming damaged.

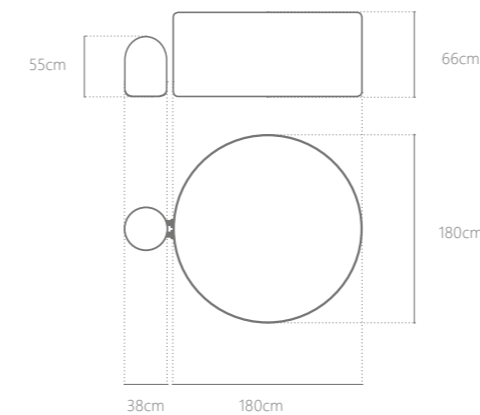




Helsinki

54189 • 54190

AirJet™



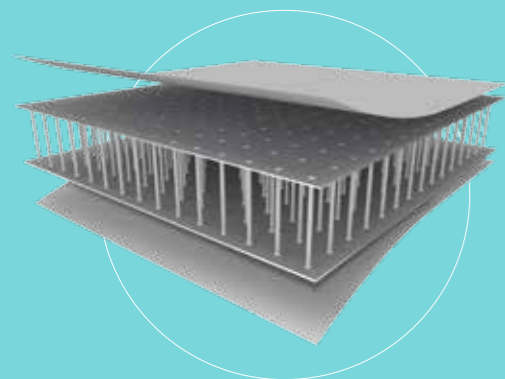
- Inflated walls are made of drop stitch material, providing unparalleled strength and durability
- Soothing AirJet™ system (#54189: 87 AirJets / #54190: 83 AirJets)
- Power-saving, automatic timer-controlled heating system
- Integrated water filtration system
- Reinforced cover with safety lock clips and built-in air chamber for insulation
- Wooden print on exterior
- Freeze Shield™ winterizing system will allow you to enjoy your spa all year long (only for #54189)
- Automatic heating function - heating starts at 6°C (42°F), and stops at 10°C (50°F) to prevent water from freezing (only for #54189)
- Program the spa heater up to 40 days in advance for future use
- Full color box

Contents: 1 pool liner, 1 pool cover, 1 spa heater, 1 ChemConnect™ dispenser, 1 high pressure hand pump, 1 pressure gauge, filter cartridge (VI), repair kit, AirJet™ system

DROP STITCH MATERIAL

Strength and Durability

Inflated walls are made from drop stitch material, providing unparalleled strength and durability. These threads securely connect the material surfaces internally, while carefully applied sidewalls seal the finished inflated cavity. This creates a panel that effectively supports considerable weight while itself being light and easily portable when deflated.



ITEM NO	54189	54190
CAPACITY	5-7 ADULTS	5-7 ADULTS
WATER CAPACITY (80%)	1,123 L (297 GAL.)	297 GAL. (1,123 L)
INFLATED SIZE	1.80 M X 66 CM (71" X 26")	71 IN. X 26 IN. (1.80 M X 66 CM)
INNER SIZE	1.70 M (67")	67 IN. (1.70 M)
FILLED WEIGHT	1155 KG (2,548 LBS)	2,548 LBS (1155 KG)
RATING	220-240V~50HZ, 2050W AT 20°C	110-120V~60HZ, 12A AT 20°C
ACTUAL WATER FLOW	1,325 L/H (350 GAL./H)	350 GAL./H (1,325 L/H)
HEATING SYSTEM	APPROX. 1.0-1.5°C/H (2-3°F/H)	APPROX. 1-2°F/H (0.5-1.0°C/H)
MAX HEAT CAPABILITY	40°C (104°F)	104°F (40°C)
CERTIFICATION	CE, GS	C-ETL
PACK/ GROSS WEIGHT	1 EA., 38.40 KG (84.66 LBS)	1 EA., 84.75 LBS (38.44 KG)



Lock/Unlock Button

LED Display

Power Saving Timer

Temperature/ Hour Adjustment

AirJet System

Power On/Off

Water Filter Activation

Celsius/Fahrenheit Mode Toggle

Heat Activation



AirJet™
MESSAGE ACTION

Combination
HEAT & AIR MASSAGE

Power Saving
TIMER

Maximum
TEMPERATURE

5 TO 7
People

No Tools
REQUIRED

Ground Fault
DETECTION SYSTEM

*Most spas have ground fault detection system (GDS).

Includes



ChemConnect™
DISPENSER



Filter
CARTRIDGE

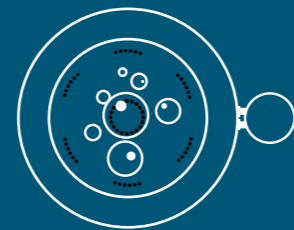


High Pressure
HAND PUMP

AirJet Plus™

MASSAGING BUBBLES ARE THE PERFECT WAY TO UNWIND.

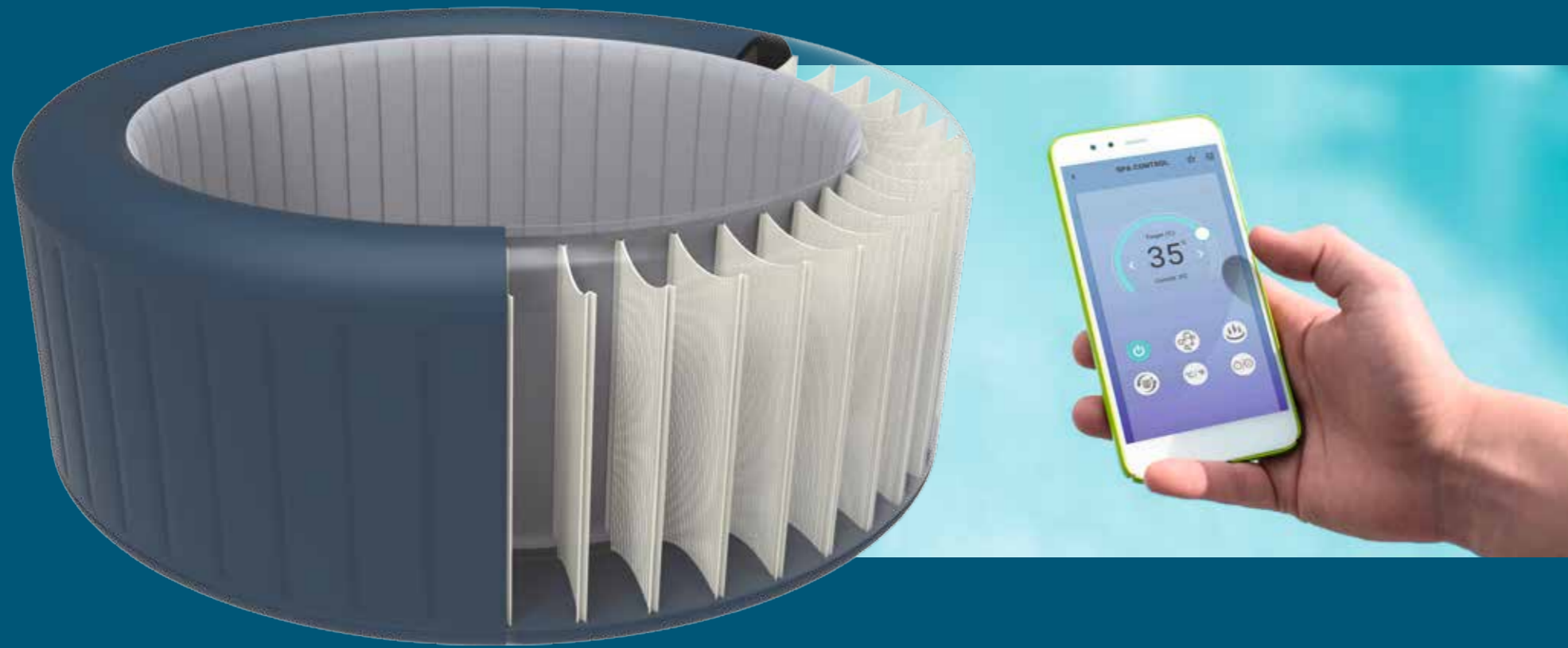
The AirJet Plus system releases bubbles from both the bottom and the sidewalls of the spa to target both the legs and back.



AIRJET PLUS POSITIONING



COMBINATION HEAT & AIR MASSAGE



A P P C O N N E C T I O N

With the Bestway Smart Hub app, control is right in the palm of your hand. This brand new innovation makes the Lay-Z-Spa one of the most convenient in the market. Compatible with smart devices, the Spa Control section of the app lets users set their spa to the perfect temperature. They can also activate the Power-Saving Timer, the water filter, and the AirJet massage system with the touch of a button!

AirJet Plus™



Bestway SMART HUB APP



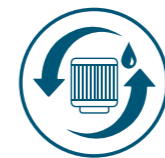
HEAT Control
SET TO YOUR PERFECT
TEMPERATURE



AirJet™ Settings
ADJUSTABLE MASSAGE
ACTION



Set Timer
POWER SAVING TIMER



Filtration
WATER FILTER
ACTIVATION



Download the Bestway Smart Hub App today!

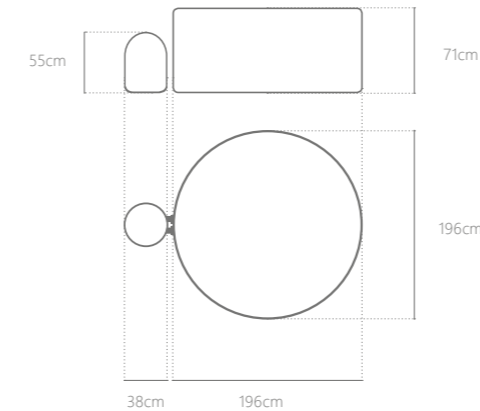
- Quick Setup**
- 1 Download**
THE BESTWAY
SMART HUB APP
 - 2 Click**
ON SPA
 - 3 Follow**
THE SETUP
INSTRUCTIONS



Milan

54184 • 54185

AirJet Plus™



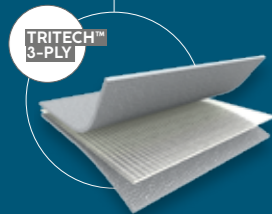
- Inflated walls are made of Tritech™ material, providing premium durability and comfort
- Soothing AirJet™ system (80 AirJets)
- Power-saving, automatic timer-controlled heating system
- Integrated water filtration system
- Reinforced cover with safety lock clips and built-in air chamber for insulation
- Freeze Shield™ winterizing system will allow you to enjoy your spa all year long (only for #54184)
- Automatic heating function - heating starts at 6°C (42°F), and stops at 10°C (50°F) to prevent water from freezing (only for #54184)
- Mosaic print on the inside
- Built-in Wi-Fi module, spa can be controlled through a phone app
- Full color box

Contents: 1 pool liner, 1 pool cover, 1 spa pump, 1 ChemConnect™ dispenser, filter cartridge (VI), repair kit, AirJet™ Plus system

Y - B E A M CONSTRUCTION

Delivering strength and comfort

Lay-Z-Spa's Y-Beam construction is designed to offer superior structural stability while maintaining a comfortable surface for a luxurious, refreshing spa experience.



The spa retains its shape no matter how many times it's inflated and deflated, always providing a comfortable, cushioned spa environment.

ITEM NO	54184	54185
CAPACITY	4-6 ADULTS	4-6 ADULTS
WATER CAPACITY (80%)	916 L (242 GAL.)	242 GAL. (916 L)
INFLATED SIZE	1.96 M X 71 CM (77" X 28")	77 IN. X 28 IN. (1.96 M X 71 CM)
INNER SIZE	1.46 M (57")	57 IN. (1.46 M)
FILLED WEIGHT	954 KG (2,103 LBS)	2,103 LBS (954 KG)
RATING	220-240V~50HZ, 2050W AT 20°C	110-120V~60HZ, 12A AT 20°C
ACTUAL WATER FLOW	1,325 L/H (350 GAL./H)	320 GAL./H (1,211 L/H)
HEATING SYSTEM	APPROX. 1.5-2.0°C/H (3-4°F/H)	APPROX. 2-3°F/H (1.0-1.5°C/H)
MAX HEAT CAPABILITY	40°C (104°F)	104°F (40°C)
CERTIFICATION	CE, GS	C-ETL
PACK/ GROSS WEIGHT	1 EA., 41.25 KG (90.94 LBS)	1 EA., 92.79 LBS (42.09 KG)



Combination
HEAT & AIR MASSAGE

AirJet Plus™
MESSAGE ACTION

Power Saving
TIMER

Maximum
TEMPERATURE

4 TO 6
People

No Tools
REQUIRED

Includes



ChemConnect™
DISPENSER



Filter
CARTRIDGE

APP
CONTROL

Ground Fault
DETECTION SYSTEM

*Most spas have ground fault detection system (GDS).

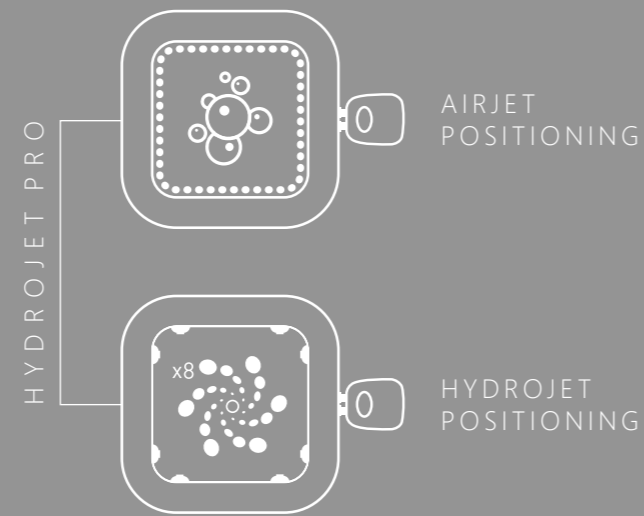
Feet
MASSAGE



HydroJet Pro™

PERFECT SPA RELAXATION AT YOUR FINGERTIPS!

HydroJet Pro is the best of both worlds! Adjustable HydroJet nozzles that release water bubbles combined with AirJets along the bottom provide the ultimate hydrotherapy massage.



COMBINATION
HEAT & AIR MASSAGE

AIRJETS

Openings encircle the perimeter of the spas floor to produce relaxing bubbles.

FLOW CONTROL AND DIRECTION

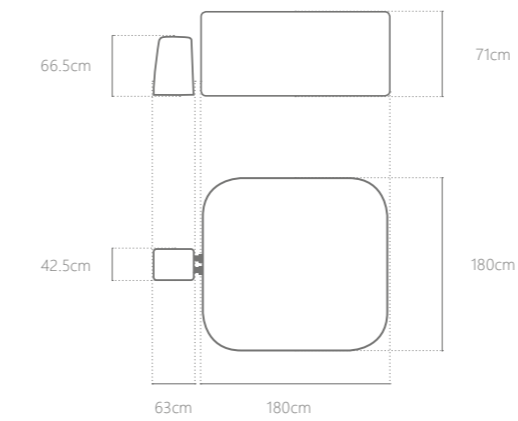
Pivot the nozzle to direct the jet wherever you wish. Twist the bezel to adjust the flow rate.



Hawaii

54138 • 54139

HydroJet Pro™



- Power-saving, automatic timer-controlled heating system
- Reinforced cover with safety lock clips and built-in air chamber for insulation
- Inflated walls are made of Tritech™ material, providing premium durability and comfort
- Hydrodynamic massage system (8 HydroJets and #54138: 120 AirJets / #54139: 114 AirJets)
- Integrated water filtration system
- Full color box

Contents: 1 pool liner, 1 pool cover, 1 spa pump, 1 ChemConnect™ dispenser, filter cartridge (VI), repair kit, AirJet™ system, HydroJet™ system

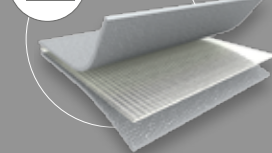
Y - B E A M C O N S T R U C T I O N

Delivering strength and comfort

Lay-Z-Spa's Y-Beam construction is designed to offer superior structural stability while maintaining a comfortable surface for a luxurious, refreshing spa experience.

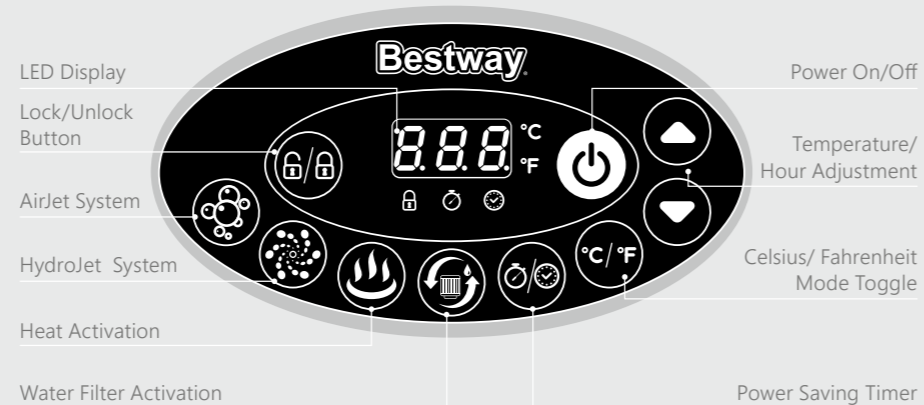


TRITECH™
3-PLY



The spa retains its shape no matter how many times it's inflated and deflated, always providing a comfortable, cushioned spa environment.

ITEM NO	54138	54139
CAPACITY	4-6 ADULTS	4-6 ADULTS
WATER CAPACITY (80%)	795 L (210 GAL.)	210 GAL. (795 L)
INFLATED SIZE	1.80 M X 1.80 M X 71 CM (71" X 71" X 28")	71 IN. X 71 IN. X 28 IN. (1.80 M X 1.80 M X 71 CM)
INNER SIZE	1.30 M X 1.30 M (51" X 51")	51 IN. X 51 IN. (1.30 M X 1.30 M)
FILLED WEIGHT	867 KG (1,911 LBS)	1,911 LBS (867 KG)
RATING	220-240V~50HZ, 2060W AT 20°C	110-120V~60HZ, 12A AT 20°C
ACTUAL WATER FLOW	1,325 L/H (350 GAL./H)	320 GAL./H (1,211 L/H)
HEATING SYSTEM	APPROX. 1.5-2.0°C/H (3-4°F/H)	APPROX. 2-3°F/H (1.0-1.5°C/H)
MAX HEAT CAPABILITY	40°C (104°F)	104°F (40°C)
CERTIFICATION	CE	C-ETL
PACK/ GROSS WEIGHT	1 EA., 68.90 KG (151.90 LBS)	1 EA., 155.43 LBS (70.50 KG)



HydroJet™
MESSAGE ACTION

AirJet™
MESSAGE ACTION

Combination
HEAT & AIR MASSAGE

Power Saving
TIMER

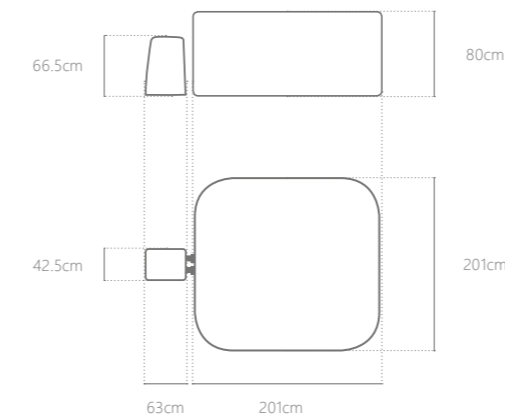




Maldives

54173 • 54296

HydroJet Pro™



- Power-saving, automatic timer-controlled heating system
- Reinforced cover with safety lock clips and built-in air chamber for insulation
- Inflated walls are made of Tritech™ material
- Hydrodynamic massage system (8 HydroJets and #54173: 140 AirJets / #54296: 134 AirJets)
- Additional exhaust fitting expedites deflation when preparing for storage
- ColorJet LED light - water-powered light alternates between 7 different colors
- Inflatable seat and lounge provides an ultra-comfortable experience
- Full color box

Contents: 1 pool liner, 1 pool cover, 1 spa pump, 1 ChemConnect™ dispenser, filter cartridge (VI), 2 water powered LED lights, repair kit, AirJet™ system, HydroJet™ system

Y - B E A M C O N S T R U C T I O N

Delivering strength and comfort

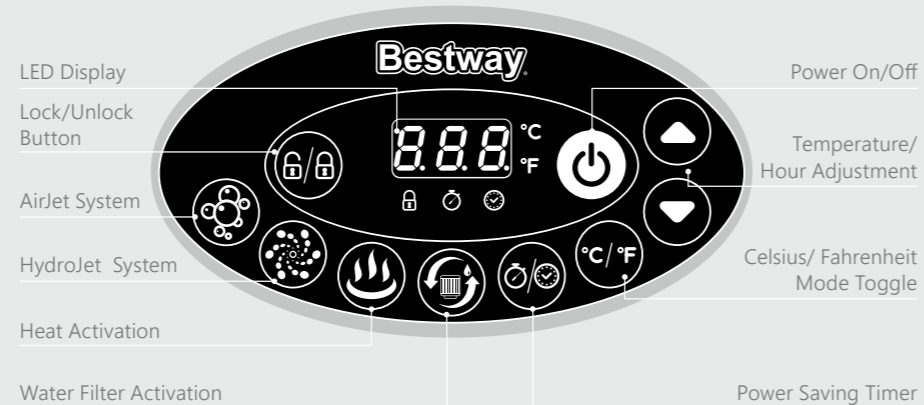
Lay-Z-Spa's Y-Beam construction is designed to offer superior structural stability while maintaining a comfortable surface for a luxurious, refreshing spa experience.



TRITECH™
3-PLY

The spa retains its shape no matter how many times it's inflated and deflated, always providing a comfortable, cushioned spa environment.

ITEM NO	54173	54296
CAPACITY	5-7 ADULTS	5-7 ADULTS
WATER CAPACITY (80%)	1,050 L (277 GAL.)	277 GAL. (1,050 L)
INFLATED SIZE	2.01 M X 2.01 M X 80 CM (79" X 79" X 31.5")	79 IN. X 79 IN. X 31.5 IN. (2.01 M X 2.01 M X 80 CM)
INNER SIZE	1.51 M X 1.51 M (59" X 59")	59 IN. X 59 IN. (1.51 M X 1.51 M)
FILLED WEIGHT	1,117 KG (2,463 LBS)	2,463 LBS (1,117 KG)
RATING	220-240V~50HZ, 2060W AT 20°C	110-120V~60HZ, 12A AT 20°C
ACTUAL WATER FLOW	1,325 L/H (350 GAL./H)	320 GAL./H (1,211 L/H)
HEATING SYSTEM	APPROX. 1-1.5°C/H (2-3°F/H)	APPROX. 1-2°F/H (0.5-1°C/H)
MAX HEAT CAPABILITY	40°C (104°F)	104°F (40°C)
CERTIFICATION	CE	C-ETL
PACK/ GROSS WEIGHT	1 EA., 83.12 KG (183.25 LBS)	1 EA., 185.67 LBS (84.22 KG)



HydroJet™
MASSAGE ACTION

ColorJet™
LED LIGHT

AirJet™
MASSAGE ACTION

Combination
HEAT & AIR MASSAGE

Power Saving
TIMER

Maximum
TEMPERATURE

Ground Fault
DETECTION SYSTEM

*Most spas have ground fault detection system (GDS).

5 TO 7
People

No Tools
REQUIRED

Feet
MASSAGE

Includes



ChemConnect™
DISPENSER



Filter
CARTRIDGE



ColorJet™
LED LIGHT



ACCESSORIES

For easy maintenance and added comfort for your spa, Bestway® has a range of accessory options to choose from. Pillows, floor protectors, testing kits, filters, inflatable domes and electric pool vacuums are some of the ways to maximize your comfort and cleanliness of your spa.



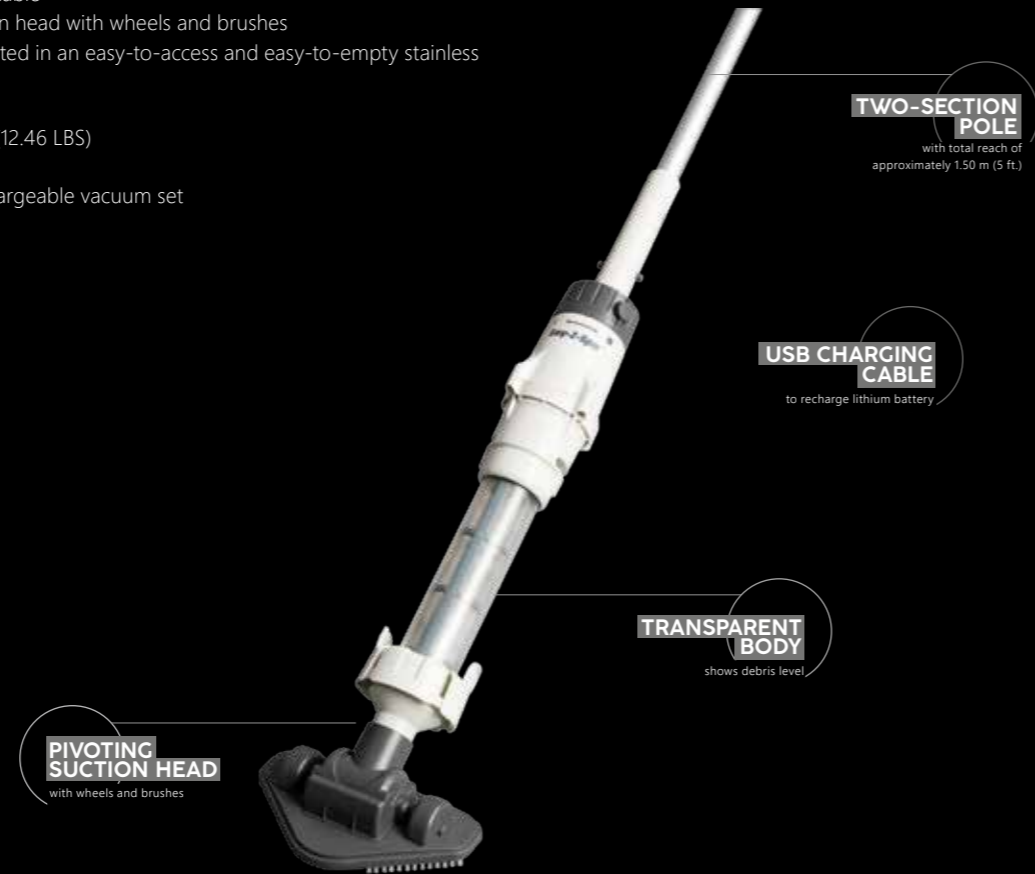


Rechargeable UNDERWATER VACUUM

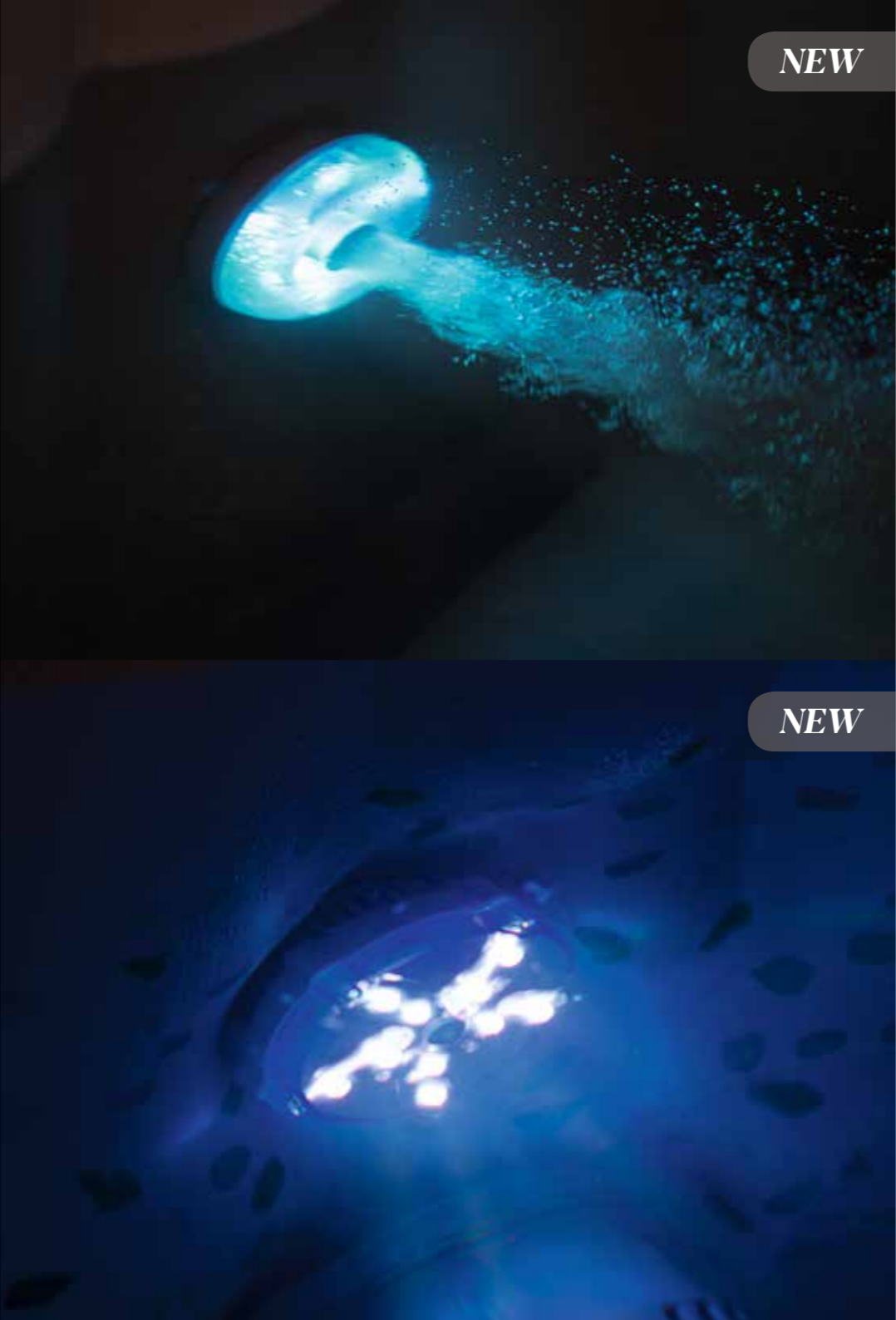
58487

- Ideal for spas and small pools
- Rechargeable lithium battery, no memory effect and constant performance lasting 30 minutes
- USB charging cable
- Pivoting suction head with wheels and brushes
- Debris is collected in an easy-to-access and easy-to-empty stainless steel filter
- Full color box
- 4 Ea., 5.65 KG (12.46 LBS)

Contents: 1 rechargeable vacuum set



NEW



NEW

ColorJet LED Light

58471

- 7 color options
- 2 light modes: fixed or alternating
- One-touch operation-simply press top button
- Full color box
- 6 Ea., 1.75 KG (3.86 LBS)

Contents: 1 ColorJet LED light

7-Color LED Light

58492

- LED light alternates between 7 colors
- One-touch operation-simply press top button
- Uses 3 AAA batteries (not included)
- Two hours of run time with auto-shutoff feature
- Full color box
- 6 Ea., 0.98 KG (2.16 LBS)

Contents: 1 7-Color LED Light



Canopy

58464

- 1.83 m x 94 cm x 1.09 m / 6' x 37" x 43"
- Suitable for all Bestway spas
- High density, ventilated mesh windows
- Waterproof fabric: 190T Polyester PU1000mm coated
- UV index UPF 30+

- Two removable guy lines to provide stability
- Full color box
- 3 Ea., 4.09 KG (9.01 LBS)

Contents: 1 tent, 3 poles, 2 guy lines, 1 storage bag



Dome

58460

- 3.90 m x 3.90 m x 2.55 m / 12'9" x 12'9" x 8'4"
- Sets up in 15 minutes with 2 people
- Fits all Bestway Spas
- Suitable as a gazebo for use in the garden or backyard. Also can be used for pools up to 3.66 m (12") diameter
- Detachable fabric doors and mesh doors, suitable for both winter and summer
- Fabric: 190T polyester PU1000mm coated
- Product unit weight: 14.18 KG (31.26 LBS)

- 4 large inside pockets to store personal items
- Full color box
- 2 Ea., 29.65 KG (65.37 LBS)

Contents: 1 tent, 4 detachable fabric doors, 4 detachable mesh doors, carry bag

NEW DESIGN



Drink Holder

58416

- Compatible with all Lay-Z-Spas (except Monaco & Helsinki)
- Includes two drink holders and one tray
- Keep beverages or snacks close by while you relax
- Position anywhere on the top of spa sidewall
- Full color box
- 12 Ea., 8.95 KG (19.73 LBS)

Contents: 2 drinks holders, 1 tray

Surround

58432

- 2.00 m x 40 cm x 40 cm / 78" x 16" x 16"
- Inflatable spa surround
- Made of Tritech™ material
- Solid I-beam structure
- Inflate using spa pump or air pump
- Can be connected by velcro which is located on each end
- 3 surrounds form a circle you can assemble around the spa to sit or lie on
- Suitable for round spa
- Full color box
- 1 Ea., 7.85 KG (17.31 LBS)

Contents: 1 surround, repair patch



NEW GENERATION



Pillow

58580

- Soft pillow provides head and neck support
- Organic PU foam is 100% waterproof and resistant to chemicals and odors
- Securely connects to all Lay-Z-Spas (except Monaco & Helsinki)
- Also compatible with bath tubs
- Full color box
- 4 Ea., 3.96 KG (8.73 LBS)

Contents: 2 pillows

Floor Protector

58461

- Round protector 2.11 m (83") for the spa
- Square protector 40 cm x 50 cm (15.5" x 19.5") mat for spa heater
- Durable polyethylene material that provides protection for your spa
- Compatible with all Bestway spa sizes (except Maldives)
- Package contains 10 pieces (9 attachable, 1 individual)
- Shrink wrapped with insert card
- 4 Sets, 8.20 KG (18.08 LBS)

Contents: 1 floor protector set





SCRUBBING MITT



SCOOP



BRUSH

All In One Tool Set

58421

Lay-Z-Spa™ Scoop

- Bumper protects spa surface
- Round shaped design fits the contours of the spa's interior
- Deep net to collect debris
- Handheld or connects to standard telescopic pole

Lay-Z-Spa™ Brush

- Bumper and nylon bristles protect spa's surface
- Handheld or connects to standard telescopic pole

Lay-Z-Spa™ Scrubbing Mitt

- Scrub along spa water line
- Latex glove bonded with scrubber pad

- Full color box
- 8 Ea., 7.30 KG (16.09 LBS)

Contents: 1 scoop, 1 brush , 1 scrubbing mitt

Test Strips

58142

- 3-in-1 Test Strip:
 - Free Chlorine
 - pH
 - Total Alkalinity
- Measures Free Chlorine 0 to 10 ppm, Alkalinity 0 to 240 ppm and pH 6.2 to 8.4 with instant results
- Blister card
- 24 Ea., 1.20 KG (2.65 LBS)

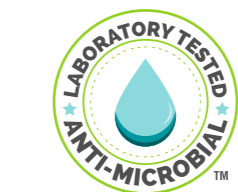


Filter Cartridge TYPE VI

58323

- 10.6 cm x 8.0 cm / 4.2" x 3.1"
- Replacement cartridge for Lay-Z-Spa™
- Easy to clean
- Shrink wrapped with insert card
- Full color box
- 6 Sets., 1.45 KG (3.20 LBS)

Contents: 2 filter cartridges




ANTIMICROBIAL Filter Cartridge TYPE VI

58477


- 10.6 cm x 8.0 cm / 4.2" x 3.1"
- Replacement cartridge for spa
- Easy to clean
- Does not replace the use of regular chlorine maintenance
- Antimicrobial filter paper controls growth of bacteria
- Very strong antimicrobial effect on surface
- Broad spectrum antibacterial effect
- According to standard ISO 22196 Measurement of antibacterial activity on plastics and other non-porous surfaces, our filter cartridge guarantees optimum performance for 2 weeks usage: Staphylococcus aureus (ATCC 6538) Antibacterial rate ≥ 99.9%
Escherichia coli (ATCC 8739) Antibacterial rate ≥ 99.9%
Klebsiella Pneumoniae (ATCC 4352) Antibacterial rate ≥ 99.9%
- Full color box
- 6 sets., 2.00 KG (4.41 LBS)

Contents: 2 filter cartridges

Lay-Z-Spa™ Technical Features

	SPA	STURDY BEAM	STURDY Y-BEAM	DROP STITCH	POWER SAVING TIMER	CLEANING/WATER FILTER ACTIVATION	HEATING SYSTEM	LED LIGHTS	APP REMOTE CONTROL
AIRJET™	MIAMI	•			•	•	•		
	CANCUN	•			•	•	•		
	TAHITI	•			•	•	•	•	
	PARIS	•			•	•	•	•	
	PALM SPRINGS		•		•	•	•		
	HONOLULU		•		•	•	•		
	HAWAII		•		•	•	•		
	ST. MORITZ		•		•	•	•		
	HELSINKI				•	•	•		
	AIRJET PLUS™	 MILAN		•		•	•	•	•
HYDROJET PRO™	HAWAII		•		•	•	•		
	MALDIVES		•		•	•	•	•	

Lay-Z-Spa™ Xtras Compatibility

ACCESSORIES	AIRJET™ MIAMI	AIRJET™ CANCUN	AIRJET™ TAHITI	AIRJET™ PARIS	AIRJET™ PALM SPRINGS	AIRJET™ HONOLULU	AIRJET™ HAWAII	AIRJET™ ST. MORITZ	AIRJET™ HELSINKI	 AIRJET™ MILAN	HYDROJET PRO™ HAWAII	HYDROJET PRO™ MALDIVES
58487 Rechargeable Underwater Vacuum	•	•	•	•	•	•	•	•	•	•	•	•
58471 ColorJet LED Light											•	•
58492 7-Color LED Light	•	•	•	•	•	•	•	•	•	•	•	•
58464 Canopy	•	•	•	•	•	•	•	•	•	•	•	•
58460 Dome	•	•	•	•	•	•	•	•	•	•	•	•
58416 Drink Holder	•	•	•	•	•	•	•	•	•	•	•	•
58580 Pillow	•	•	•	•	•	•	•	•	•	•	•	•
58432 Surround	•	•	•	•	•	•		•	•	•		
58461 Floor Protector	•	•	•	•	•	•	•	•	•	•	•	
58421 All in One Tool Set	•	•	•	•	•	•	•	•	•	•	•	•
58142 Pool & Spa Test Strips	•	•	•	•	•	•	•	•	•	•	•	•
58323 Filter Cartridge (VI)	•	•	•	•	•	•	•	•	•	•	•	•
58477 Antimicrobial Filter Cartridge (VI)	•	•	•	•	•	•	•	•	•	•	•	•



Inflate

YOUR LAY-Z-SPA WITH THE PUMP

Connect

THE PUMP UNIT TO THE LAY-Z-SPA

Fill

THE LAY-Z-SPA AND ENJOY!

SETUP AND ***Maintenance***

With the necessary tools already included, Lay-Z-Spa setup is quick and easy!

After finding a flat area to place the spa, it's a simple process of 1, 2, 3.

1. Inflate the spa with the double-functioning spa pump.
2. Connect the pump to the spa, and ensure that all of the tubes are attached to the correct openings.
3. Fill up the spa with water to the indicated level, and enjoy!

Also included with each spa is a chemical floater and filter cartridge to keep the water sparkling. Maintaining clean and healthy pool water is not just important for the user's experience, but it also extends the longevity of the spa.

Thanks to a new function available on all Lay-Z-Spas, the pump can also quickly and conveniently deflate the spa for transport or storage.



I N D E X

AirJet™

MIAMI 54123 • 54124 pg 20-23	CANCUN 54286 • 54297 pg 24-27	TAHITI 54186 • 54187 pg 28-31	PARIS 54148 • 54149 pg 32-35	PALM SPRINGS 54129 • 54130 pg 36-39
HONOLULU 54174 • 54295 pg 40-43	HAWAII 54154 • 54155 pg 44-47	ST. MORITZ 54175 • 54176 pg 48-51	HELSINKI 54189 • 54190 pg 52-57	

AirJet Plus™

MILAN
54184 • 54185
pg 62-65

HydroJet Pro™

HAWAII
54138 • 54139
pg 68-71

MALDIVES
54173 • 54296
pg 72-75

Xtras

RECHARGEABLE UNDERWATER VACUUM
58487 — pg 78

COLORJET LED LIGHT
58471 — pg 79

7-COLOR LED LIGHT
58492 — pg 79

CANOPY
58464 — pg 80

DOME
58460 — pg 81

DRINK HOLDER
58416 — pg 82

PILLOW
58580 — pg 82

SURROUND
58432 — pg 83

FLOOR PROTECTOR
58461 — pg 83

ALL IN ONE TOOL SET
58421 — pg 84

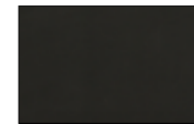
TEST STRIPS
58142 — pg 84

FILTER CARTRIDGE (VI)
58323 — pg 85

ANTIMICROBIAL FILTER CARTRIDGE (VI)
58477 — pg 85



MIAMI
54123 • 54124



CANCUN
54286 • 54297



TAHITI
54186 • 54187



PARIS
54148 • 54149



PALM SPRINGS
54129 • 54130



HONOLULU
54174 • 54295



HAWAII
54154 • 54155



ST. MORITZ
54175 • 54176



HELSINKI
54189 • 54190



AIRJET PLUS
MILAN
54184 • 54185



HYDROJET PRO
HAWAII
54138 • 54139



HYDROJET PRO
MALDIVES
54173 • 54296



Fabrics & Finishes

OUTER TEXTURE